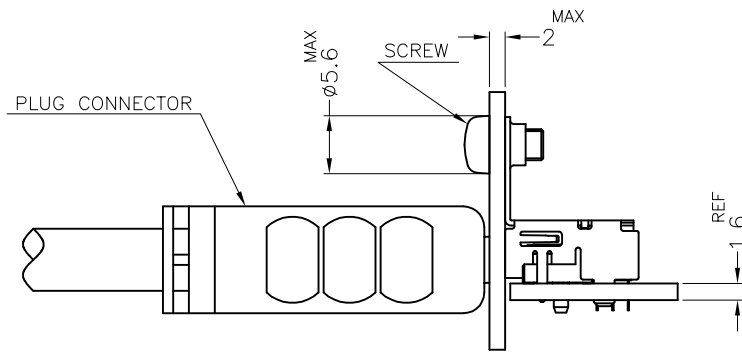
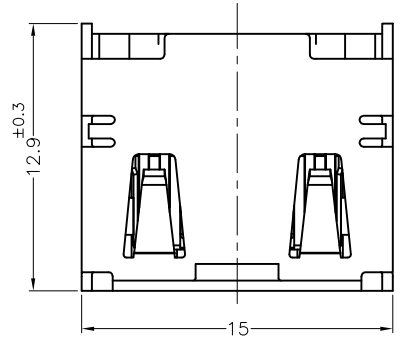
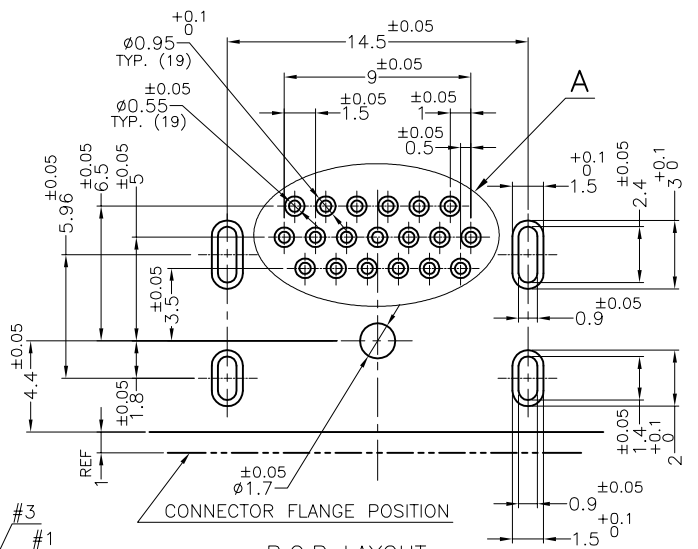


D  
C  
B  
A

D  
C  
B  
A

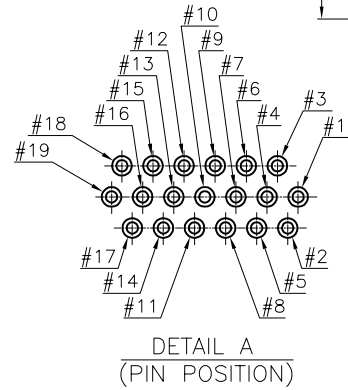
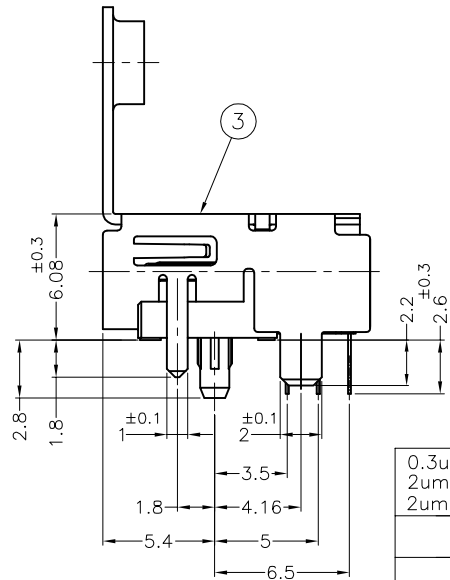
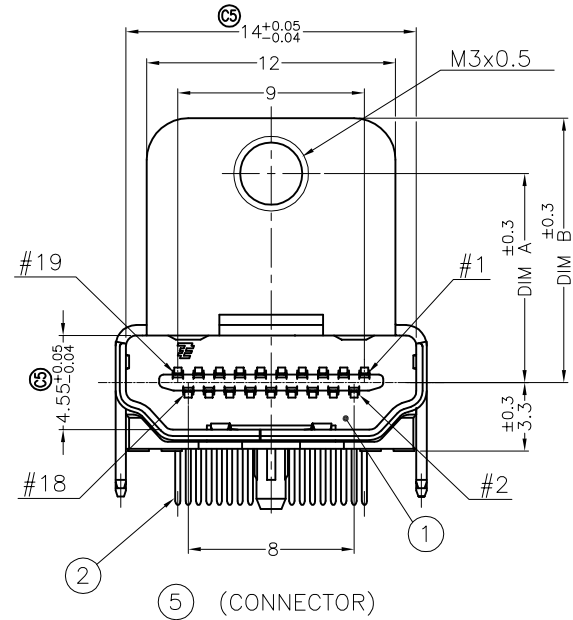


MATING CONDITION (REFERENCE)  
(SCALE 2:1)



P.C.B. LAYOUT  
SHOWN AS CONNECTOR MOUNTING SIDE  
TOLERANCE: NON-CUMULATIVE  
(REFERENCE)

1 CONTACT COPLANALITY IS 0.1 MAXIMUM.



DETAIL A  
(PIN POSITION)

0.3um MIN GOLD PLATE ON THE MATING SURFACE  
2um MATTE TIN PLATE ON THE SOLDER-TAIL  
2um NICKEL UNDERPLATE ON THE ENTIRE CONTACT

0.75um MIN MATTE TIN OVER  
0.8um MIN NICKEL UNDERPLATE

FINISH

2069485-1	80	CONNECTOR	⑤
PS	1	TRAY (SHEET 4)	④
COPPER ALLOY	19	CONTACT	③
COPPER ALLOY	1	SHELL	②
THERMOPLASTIC UL94V-0, BLACK COLOR	1	HOUSING	①
MATERIAL	QTY.	DISCRIPTION	ITEM

2069485-1; AS SHOWN

PART NUMBER	DIM B	DIM A
2069485-1	11.97	9

THIS DRAWING IS A CONTROLLED DOCUMENT.

DIMENSIONS: MM	TOLERANCES UNLESS OTHERWISE SPECIFIED:	DWN Y.HARADA 09MAY2008	TE Connectivity NAME: HDMI 19 POS RECEPTACLE ASSY THROUGH HOLE TYPE -LEAD FREE- SIZE: A3 CAGE CODE: 00779 DRAWING NO: C-2069485 RESTRICTED TO: - SCALE: NTS SHEET: 1 OF 5 REV: C6
	0 PLC ± 0.2	CHK C.OHASHI 08MAY2008	
	1 PLC ± 0.2	APVD Y.NAKAZAWA 08MAY2008	
	2 PLC ± 0.2	PRODUCT SPEC: 108-78641	
	3 PLC ± 0.2	APPLICATION SPEC	
	4 PLC ± 0.2	WEIGHT	
	ANGLES ± 2	CUSTOMER DRAWING	

4

3

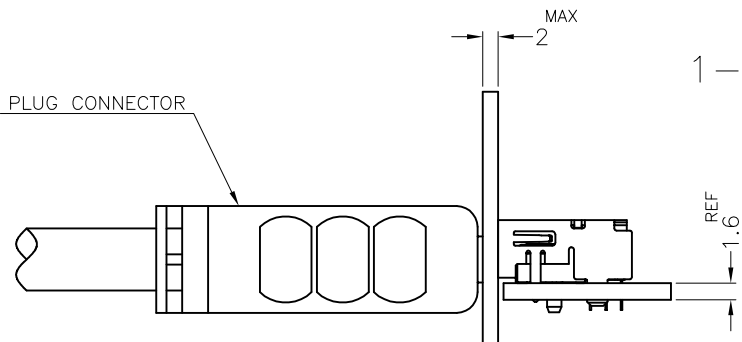
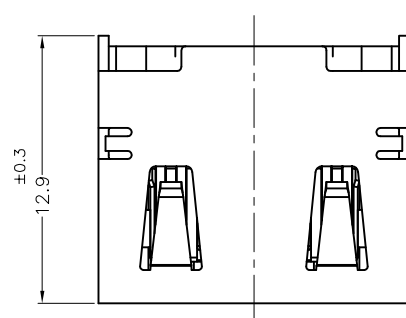
2

1

THIS DRAWING IS UNPUBLISHED. RELEASED FOR PUBLICATION ALL RIGHTS RESERVED.

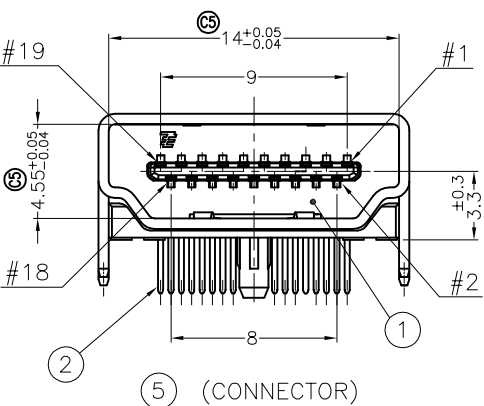
LOC		DIST		REVISIONS			DATE	DWN	APVD
ES	-	P	LTR	DESCRIPTION					
		-		SEE SHEET 1					

D

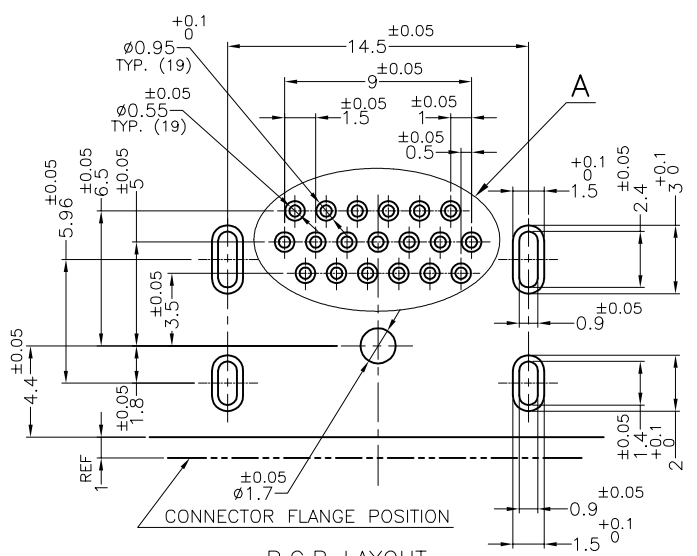
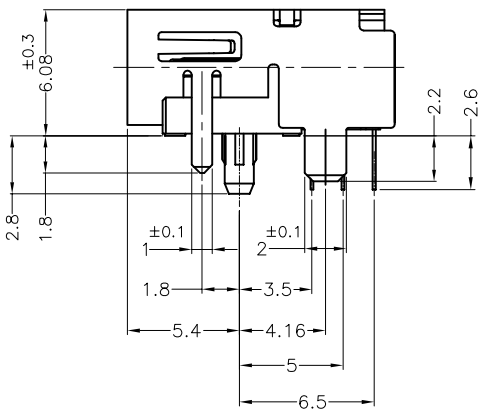


1-2069485-1; AS SHOWN

C



MATING CONDITION (REFERENCE) (SCALE 2:1)

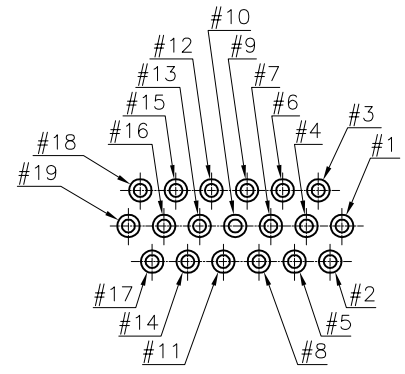


P.C.B. LAYOUT SHOWN AS CONNECTOR MOUNTING SIDE TOLERANCE: NON-CUMULATIVE (REFERENCE)

1 CONTACT COPLANALITY IS 0.1 MAXIMUM.

1-2069485-1	80	CONNECTOR	⑤
PS	1	TRAY (SHEET 4)	④
COPPER ALLOY	19	CONTACT	③
0.75um MIN MATTE TIN OVER 0.8um MIN NICKEL UNDERPLATE	1	SHELL	②
THERMOPLASTIC UL94V-0, BLACK COLOR	1	HOUSING	①
FINISH		MATERIAL	QTY. DISCRIPTION ITEM

B



DETAIL A (PIN POSITION)

0.3um MIN GOLD PLATE ON THE MATING SURFACE  
 2um MATTE TIN PLATE ON THE SOLDER-TAIL  
 2um NICKEL UNDERPLATE ON THE ENTIRE CONTACT

0.75um MIN MATTE TIN OVER  
 0.8um MIN NICKEL UNDERPLATE

A

THIS DRAWING IS A CONTROLLED DOCUMENT.

DIMENSIONS: MM

TOLERANCES UNLESS OTHERWISE SPECIFIED:

0 PLC	± 0.2
1 PLC	± 0.2
2 PLC	± 0.2
3 PLC	± 0.2
4 PLC	± 0.2
ANGLES	± 2

MATERIAL: \_\_\_\_\_ FINISH: \_\_\_\_\_

APVD: \_\_\_\_\_

PRODUCT SPEC: 108-78641

APPLICATION SPEC: \_\_\_\_\_

WEIGHT: \_\_\_\_\_

CUSTOMER DRAWING

SCALE: NTS SHEET: 2 OF 5 REV: C6

TE Connectivity

NAME: HDMI 19 POS RECEPTACLE ASSY THROUGH HOLE TYPE -LEAD FREE-

SIZE: A3 CAGE CODE: 00779 DRAWING NO: C=2069485 RESTRICTED TO: \_\_\_\_\_

4 3 2 1

THIS DRAWING IS UNPUBLISHED. RELEASED FOR PUBLICATION  
 © COPYRIGHT - By - ALL RIGHTS RESERVED.

LOC	DIST	REVISIONS			
P	LTR	DESCRIPTION	DATE	DWN	APVD
ES	-	SEE SHEET 1	-	-	-

3-2069485-1, 4-2069485-1 AS SHOWN

MATING CONDITION (REFERENCE)  
 (SCALE 2:1)

P.C.B. LAYOUT  
 SHOWN AS CONNECTOR MOUNTING SIDE  
 TOLERANCE: NON-CUMULATIVE  
 (REFERENCE)

1 CONTACT COPLANALITY IS 0.1 MAXIMUM.

(5) (CONNECTOR)

0.3um MIN GOLD PLATE ON THE MATING SURFACE  
 2um MATTE TIN PLATE ON THE SOLDER-TAIL  
 2um NICKEL UNDERPLATE ON THE ENTIRE CONTACT  
 0.75um MIN MATTE TIN OVER  
 0.8um MIN NICKEL UNDERPLATE  
 FINISH

DIM.	A	DESCRIPTION	QTY.	DISCRIPTION	ITEM
2.3		4-2069485-1 (C6)	250	CONNECTOR	(5)
1.7		3-2069485-1	250	CONNECTOR	(5)
		PS FOR TAPE, PLASTIC FOR REEL	1	T&R (SHEET 5)	(6)
		COPPER ALLOY	19	CONTACT	(3)
		COPPER ALLOY	1	SHELL	(2)
		THERMOPLASTIC UL94V-0, BLACK COLOR	1	HOUSING	(1)
		MATERIAL		QTY. DISCRIPTION	ITEM

DETAIL A  
 (PIN POSITION)

THIS DRAWING IS A CONTROLLED DOCUMENT.		DWN	TE Connectivity	
DIMENSIONS: MM		CHK	NAME	
TOLERANCES UNLESS OTHERWISE SPECIFIED:		APVD	HDMI 19 POS	
0 PLC ± 0.2	1 PLC ± 0.2	PRODUCT SPEC	RECEPTACLE ASSY THROUGH HOLE TYPE	
2 PLC ± 0.2	3 PLC ± 0.2	108-78641	-LEAD FREE-	
4 PLC ± 0.2	ANGLES ± 2	APPLICATION SPEC	SIZE	CAGE CODE
MATERIAL	FINISH	WEIGHT	A3	00779
CUSTOMER DRAWING		DRAWING NO		RESTRICTED TO
		C=2069485		
		SCALE	SHEET	REV
		NTS	3 OF 5	C6

1470-19 (3/11)

4

3

2

1

THIS DRAWING IS UNPUBLISHED.

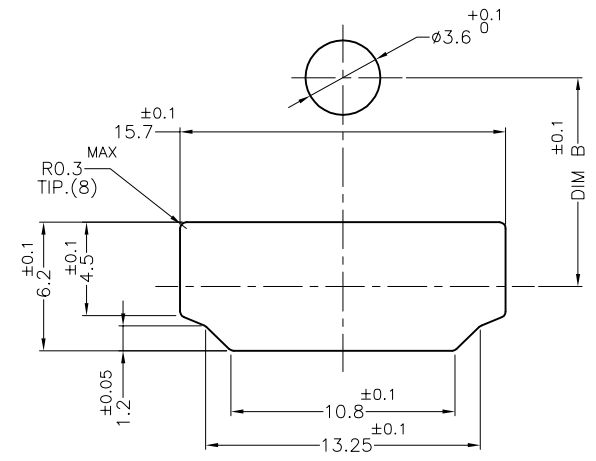
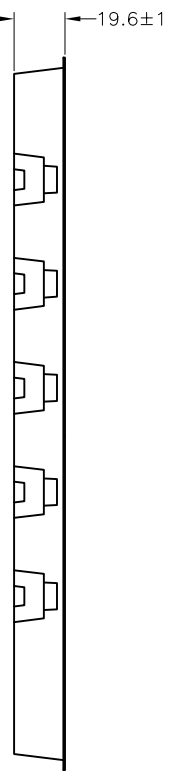
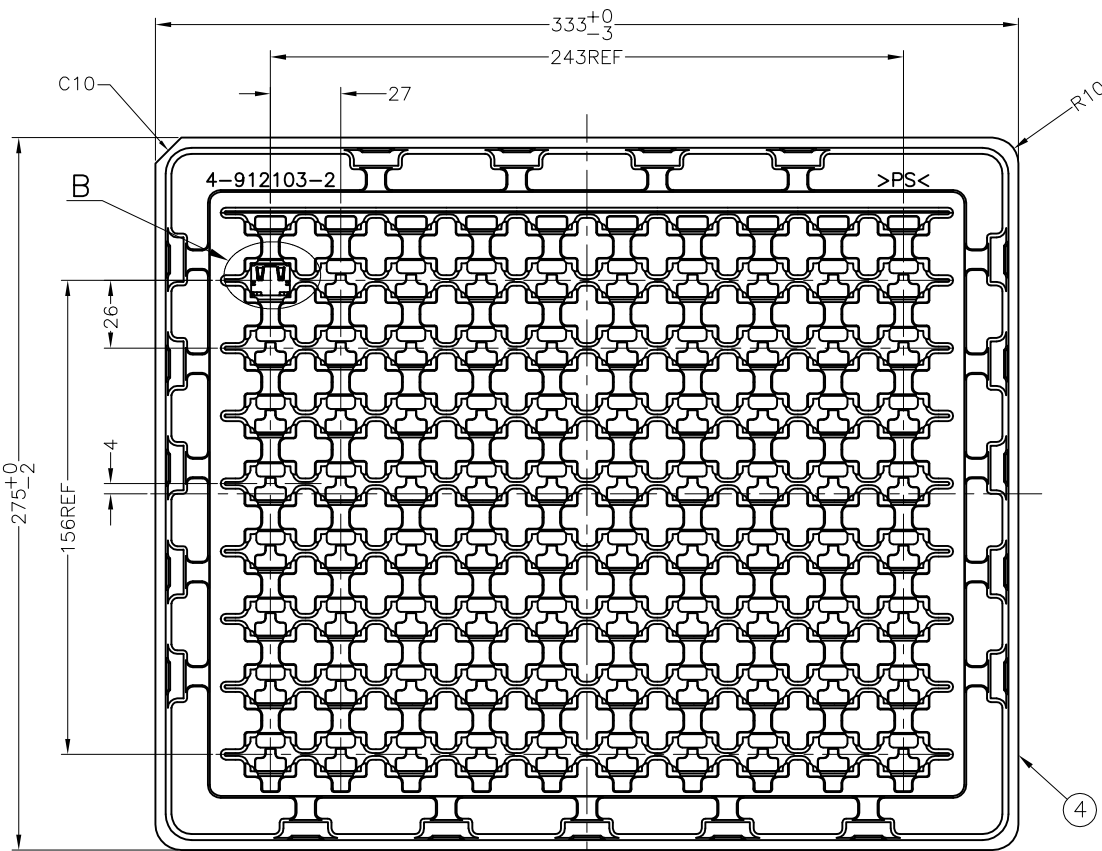
RELEASED FOR PUBLICATION

ALL RIGHTS RESERVED.

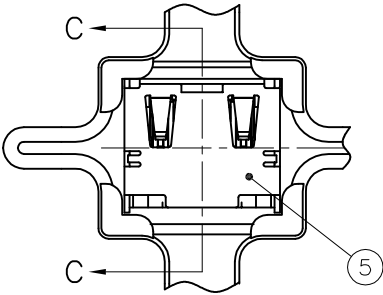
© COPYRIGHT - By -

LOC	DIST	REVISIONS			
P	LTR	DESCRIPTION	DATE	DWN	APVD
ES	-	SEE SHEET 1	-	-	-

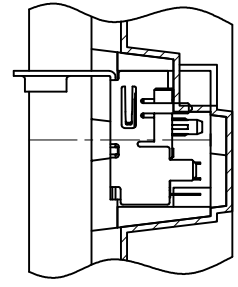
(SCALE 3:1)



PANEL CUT OUT DIMENSION (REFERENCE)



DETAIL B



SECT. C-C

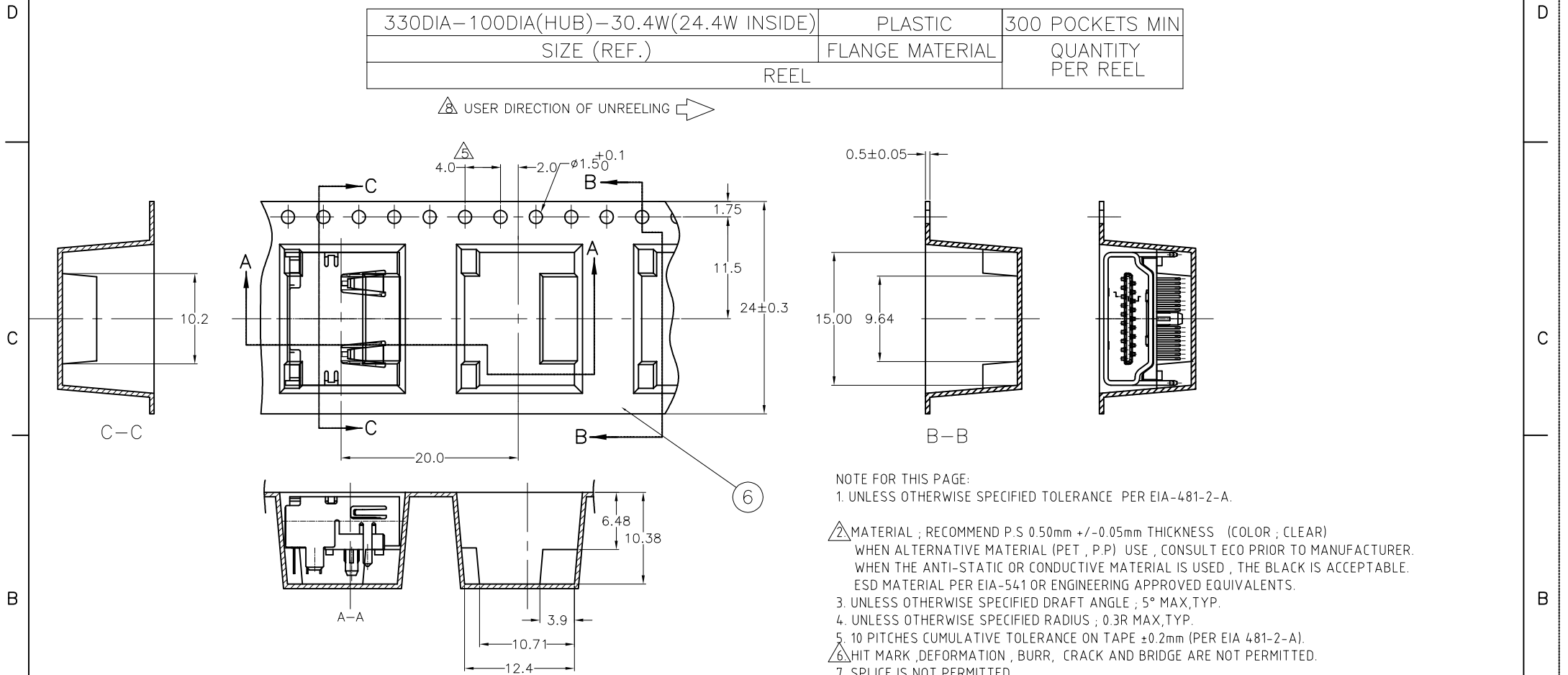
THIS DRAWING IS A CONTROLLED DOCUMENT.		DWN _____		<b>STE</b> TE Connectivity	
DIMENSIONS: MM		CHK _____			
TOLERANCES UNLESS OTHERWISE SPECIFIED:		APVD _____		NAME	
0 PLG ± 0.2		PRODUCT SPEC		HDMI 19 POS	
1 PLG ± 0.2		APPLICATION SPEC		RECEPTACLE ASSY THROUGH HOLE TYPE	
2 PLG ± 0.2 ± 0.3		WEIGHT		-LEAD FREE-	
3 PLG ± 0.2		CUSTOMER DRAWING		SIZE CAGE CODE DRAWING NO RESTRICTED TO	
4 PLG ± 0.2		SCALE NTS		A3 00779 C=2069485	
ANGLES ±		SHEET 4 OF 5		REV C6	
FINISH		REV			

THIS DRAWING IS UNPUBLISHED. RELEASED FOR PUBLICATION - . - .  
 © COPYRIGHT - By - ALL RIGHTS RESERVED.

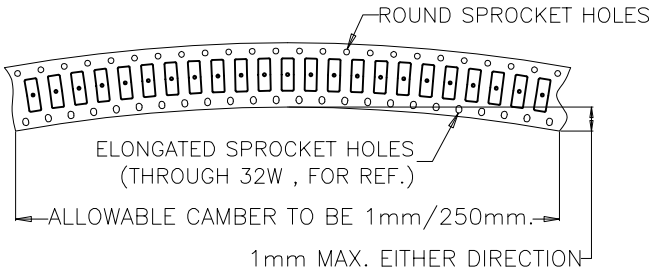
LOC	DIST	REVISIONS			
P	LTR	DESCRIPTION	DATE	DWN	APVD
ES	-	SEE SHEET 1	-	-	-

330DIA-100DIA(HUB)-30.4W(24.4W INSIDE)	PLASTIC	300 POCKETS MIN
SIZE (REF.)	FLANGE MATERIAL	QUANTITY PER REEL
REEL		

⚠ USER DIRECTION OF UNREELING →



- NOTE FOR THIS PAGE:
- UNLESS OTHERWISE SPECIFIED TOLERANCE PER EIA-481-2-A.
  - MATERIAL ; RECOMMEND P.S 0.50mm +/-0.05mm THICKNESS (COLOR ; CLEAR) WHEN ALTERNATIVE MATERIAL (PET , P.P) USE , CONSULT ECO PRIOR TO MANUFACTURER. WHEN THE ANTI-STATIC OR CONDUCTIVE MATERIAL IS USED , THE BLACK IS ACCEPTABLE. ESD MATERIAL PER EIA-541 OR ENGINEERING APPROVED EQUIVALENTS.
  - UNLESS OTHERWISE SPECIFIED DRAFT ANGLE ; 5° MAX,TYP.
  - UNLESS OTHERWISE SPECIFIED RADIUS ; 0.3R MAX,TYP.
  - 10 PITCHES CUMULATIVE TOLERANCE ON TAPE ±0.2mm (PER EIA 481-2-A).
  - HIT MARK ,DEFORMATION , BURR, CRACK AND BRIDGE ARE NOT PERMITTED.
  - SPLICE IS NOT PERMITTED.
  - USER DIRECTION OF UNREELING.
  - REEL CONFIGURATION AND DIMENSIONS PER EIA-481-2-A OR ENGINEERING APPROVED EQUIVALENTS.
  - MAXIMUM CAMBER



THIS DRAWING IS A CONTROLLED DOCUMENT.		DWN	TE Connectivity		
DIMENSIONS: MM		CHK	NAME		
TOLERANCES UNLESS OTHERWISE SPECIFIED:		APVD	HDMI 19 POS		
0 PLG ±0.2 1 PLG ±0.2 2 PLG ±0.2 3 PLG ±0.2 4 PLG ±0.2 ANGLES ±		PRODUCT SPEC	RECEPTACLE ASSY THROUGH HOLE TYPE		
MATERIAL		APPLICATION SPEC	-LEAD FREE-		
FINISH		WEIGHT	SIZE	CAGE CODE	DRAWING NO
		CUSTOMER DRAWING	A3	00779	C=2069485
		SCALE	NTS	SHEET	5 OF 5
		REV	C6		